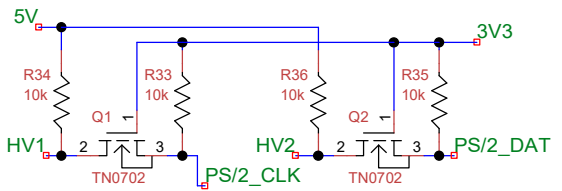
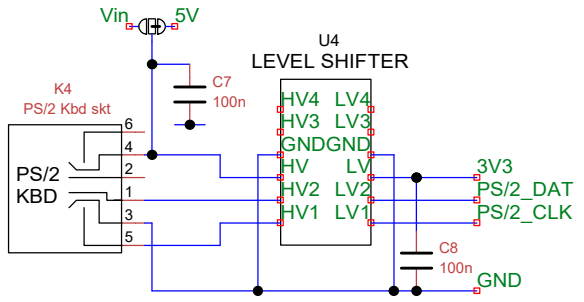
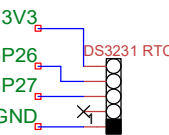
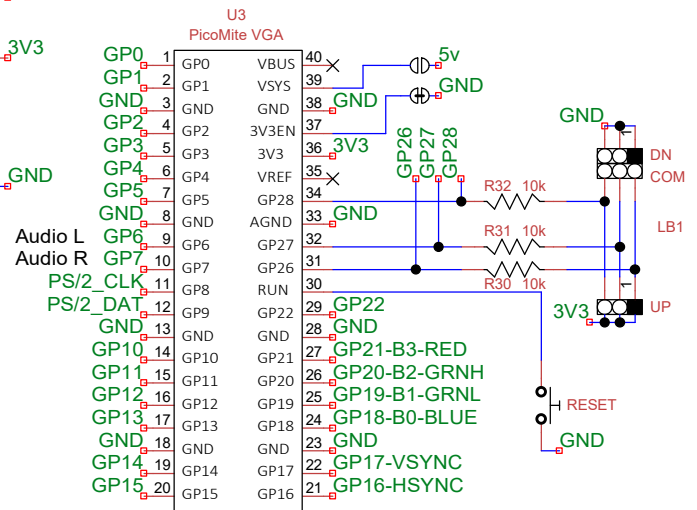
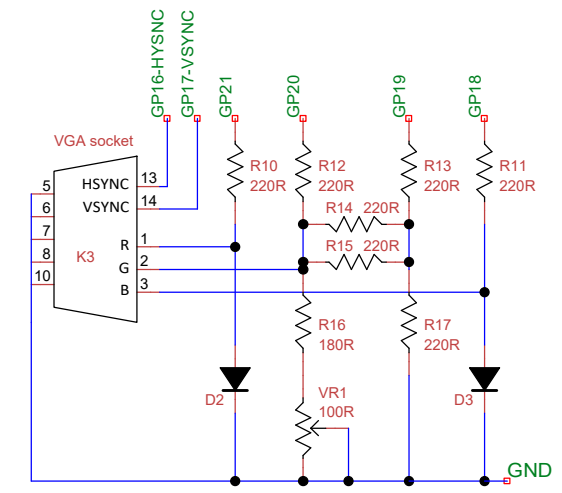


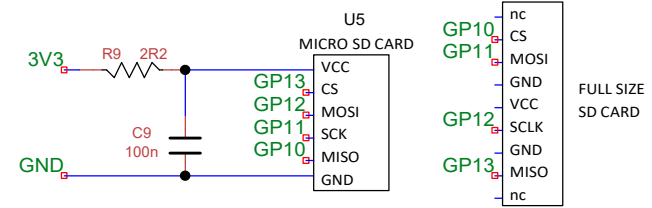
Note: For higher voltage inputs voltage regulator U1, together with C1A and/or C1B are fitted. Values and voltage ratings to



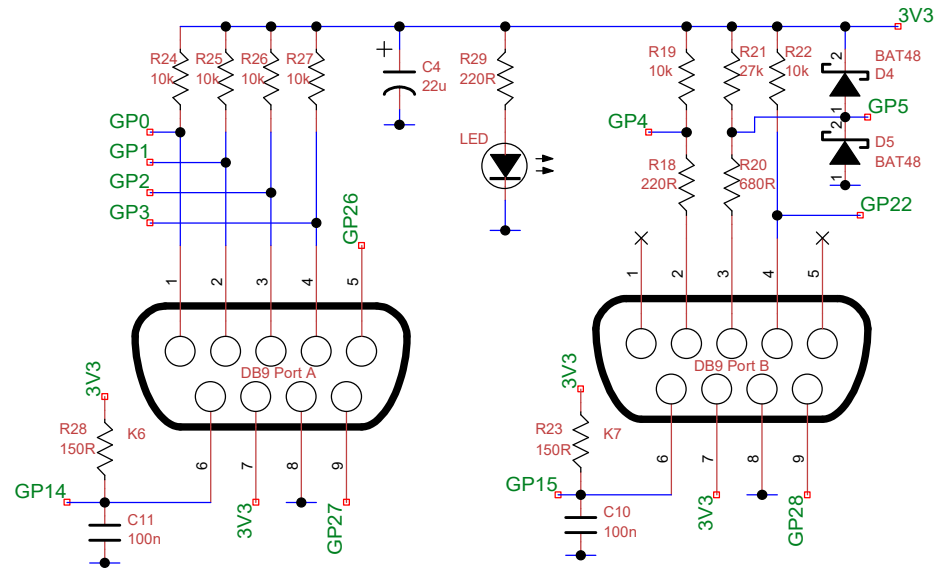
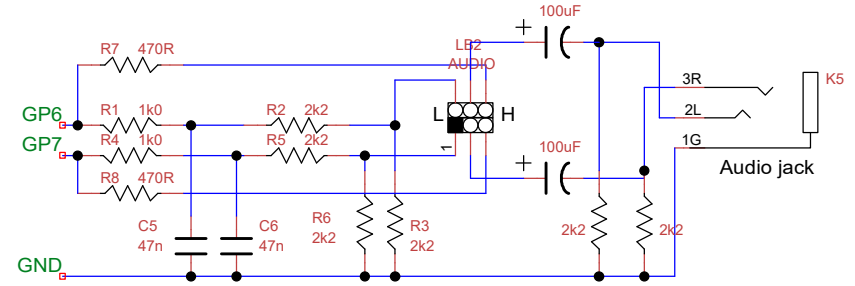
Note: Either the level shifter module U4 or the MOSFET circuit may be used here. Do not attempt to install both!



Note: Set LB1 to UP for GP26 and GP27. Can not be used if these are used for any other purpose.



Note: Full size SD socket can be used as an alternative to the micro SD card module. If it is used then change C9 to a 100uF 10V electrolytic type. The PCB is designed to take either.



Note: Controller connections
 K6 - LH socket A - Controller / PC joystick
 Controller mode: 2=Data 3=Latch 4=Clock 6+= 8=GND
 PC mode: 1=Up 2=Dn 3=Left 4=Right 6=Trig/Fire 7+= 8=GND 9=ADC0 9=ADC1
 If JS1 is installed then it replaces Port A
 VRx=GP26 VVy=GP27 SW=GP14
 K7 - RH socket B - Controller / Networking
 Controller mode: 2=Data 3=Latch 4=Clock 6+= 8=GND (9=ADC0)
 Network mode: 2=COM2_TX 3=COM2_RX 8=GND

Title PicoGame NES Version 1.4A		
Author Mixtel90		MMBasic by Geoff Graham + Peter Mather
File .\User\Desktop\PicoGA ... PicoGameNES14A.dsn	Document	
Revision 0	Date 26 Apr 22	Sheets 1 of 1